



REFRIGERATION VALVE AND COMPONENT CATALOG





COMPANY PROFILE

Refrigeration Sales inc now in its third generation as a family owned business It was founded in 1968 and has been a pioneer for forty years in both steel and brass service valves focused on the Refrigeration and air conditioning markets both OEM and aftermarket .Refrigeration Sales inc also manufacturer a complete range of steel and aluminum fittings and components for the automotive and specialty vehicle markets

Initially founded to support first a local international supplier of refrigeration equipment, it quickly became a national supplier. Refrigeration Sales Inc is today a global player in these markets as well as utilizing Global sourcing via European and Asian partnerships under the leadership of its North American Quality and Engineering guidance located in Jackson Michigan



In keeping with the Company goals to provide superior Quality and service with competitive pricing Refrigeration Sales Inc is undertaking major investments in fully automatic equipment which will provide the necessary foundation for continuation of the company goals and objectives well into the future



Mission Statement

It is the affirmed goal and objective of Refrigeration Sales Incorporated and it's affiliates to provide superior VALUE for

Customers by providing Best in Class service and support, together with On time, zero defect Quality products, at a competitive price

Employees by creating a shared Vision, providing an environment where integrity, loyalty, and innovation are rewarded with respect, empowerment, growth and appreciation of effort

Shareholders by providing a realistic and competitive return for their investment and commitment

OUR PROMISE

“Superior Product and Service at Competitive prices”

Edward Lyke
V/P in charge of Operations

Rusty Lyke
President in charge of Sales/Customer Service



Corporate Office

PO Box 928

Jackson, MI 49204-0928

Tele: (800) 482-0781

Fax: (517) 784-7373

Email: info@refsales.com

Web: www.refsales.com

Mission Statement

It is the affirmed goal and objective of Refrigeration Sales Incorporated and it's affiliates to provide superior VALUE for

Customers by providing Best in Class service and support, together with On time, zero defect Quality products, at a competitive price

Employees by creating a shared Vision, providing an environment where integrity, loyalty, and innovation are rewarded with respect, empowerment, growth and appreciation of effort

Shareholders by providing a realistic and competitive return for their investment and commitment

Quality Policy

Refrigeration Sales, Inc. is committed to the on-time delivery of products and services that meet or exceed our customer's requirements, through continuous improvement activities.

Refrigeration Sales, Inc. is ISO 9001:2000 certified

Limited Warranty Statement:

Refrigeration Sales, Inc warrants the products it offers, to the original purchaser only, to be free from defects in materials and workmanship under normal use and service for a period of ninety (90) days from the date of installation. Refrigeration Sales, Inc. reserves the option to replace any defective part(s) or issue credit at the original sale price only. Both the implied warranties of merchantability and fitness for a particular purpose are limited in their duration to the above warrant period. No agreement or promise is made to reimburse for labor or refrigerant loss in the replacement of any part(s). There will be no credit for labor or other costs incurred in connection with any defective part(s).

There are no representations, warranties or conditions expressed or implied, statutory or otherwise, except those herein contained. Refrigeration Sales, Inc assumes no liability for damages, losses or injuries direct or consequential that may arise from the use or inability to due its products. Any part(s) damaged as a result of misuse, poor installation, alteration, or any other abuse, including improper packaging of return to

Refrigeration Sales, Inc. will not be given warranty consideration regardless of the original claimed defect.

Refrigeration Sales, Inc warranted on R-12, R-134A refrigerant only! No credit will be issued for non Refrigeration Sales, Inc. manufactured products. Defective part(s) may be returned to Refrigeration Sales, Inc. ONLY after a returned materials authorization (RMA) has been granted by Refrigeration Sales, Inc.

Order Placement

Refrigeration Sales can accept orders in the following manner:

- Mail Refrigeration Sales PO Box 928 Jackson MI 49204
- Fax 517-784-7373
- E-mail info@refsales.com
- Website www.refsales.com
- Telephone 1-800-482-0781 Ext 29

Please have the following information ready when placing your orders:

- Purchase order number
- RSI Part #
- Shipping information (including any special requirements)
- Desired delivery date

Order Requirements

In order to expedite all sales orders we have established reasonable minimum line item requirements for all products. Any orders placed for below minimum quantities will be subject to an additional 10% per line item charge

1. All fittings, valves, and service components will require a \$25.00 per order line item minimum

ANY COUNT DISCREPANCIES MUST BE REPORTED IN WRITING TO REFRIGERATION SALES, INC. WITHIN 10 DAYS OF RECEIPT, OR FULL PAYMENT IS REQUIRED

Return Material Authorization Process

No returned product and or charges will be accepted by Refrigeration Sales without prior approval from Refrigeration Sales. All authorization will be given and RMA (returned material authorization) number, this number must accompany all product, paperwork, and correspondence. An RMA number may be given by Refrigeration Sales customer service representative only. If you need to return purchased product please contact a customer service representative at 1-800-482-0781 Ext. 29. Be sure to have all of your purchase information to help expedite this process.

A 20% restocking fee will be applied to all material returned deemed acceptable.

Copyright Restrictions

This catalog in its entirety is protected under copyright laws, and is the property of Refrigeration Sales, Inc. Any reproduction duplication of this catalog, its contents, or illustrations either in whole or in part is expressly prohibited without the prior written consent of Refrigeration Sales, Inc. If you are a customer of Refrigeration Sales, Inc. and wish to use our illustrations or other contents of our catalog, please contact us.

© 2008 Refrigeration Sales, Inc.

Table of Contents

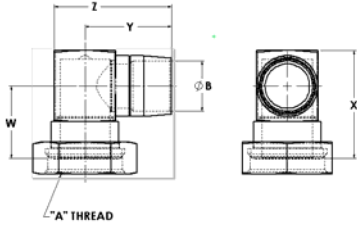
Categorized Listing

Refrigeration/A/C	1
Adapter Fittings	1
Female Rotalock x Sweat Connection	1
Rotalock Adapter 90 Degree	1
Rotalock Adapter Straight	1
Male Rotalock x Sweat Connection	2
Rotalock Adapter Straight	2
Seals	3
Rotalock Seals	3
Rotalock Connection Shut off caps	3
Teflon Rotalock Gasket	3
Service Ports Caps	3
Copper Flare Seal Bonnet	3
Service Port Cap	4
Short Forged Nuts	4
Valve Stem Caps	4
Shut off Service Valve	5
Angle Valve	5
Angle Flare to Flare Valve	5
Angle Sweat to Sweat Valve	6
Base Mount Valve	7
Bracket Mount Sweat Connection Valves	7
Residential A/C Valve	8
Flange Mount Valve	9
Flange Mount Flare Valve	9
Flange Mount Sweat Valve	10
Rotalock Valve	11
Horizontal Rotalock Valve to Male Flare	11
Horizontal Rotalock Valve to Sweat	13
Vertical Rotalock Valve to Sweat	15

Adapter Fittings

Female Rotalock x Sweat Connection

Rotalock Adapter 90 Degree

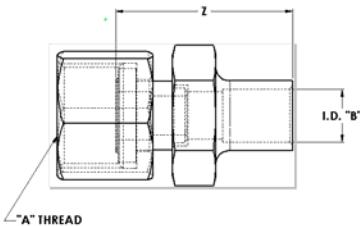


- Service ports available upon request: Vent hole, Schrader valve, R134-A (High and Low side)
- Zinc plating standard, other available upon request: Tin, and Copper

Item	A Conn	B Conn	Material	Finish	Seal Used	AMP Item	AJW Item
091-200	3/4-16	1/4	Steel	Zinc Plated	200TLC	34686-P	
091-201	3/4-16	3/8	Steel	Zinc Plated	200TLC	24515-P	AD-64603S06R
091-202	1-14	1/4	Steel	Zinc Plated	203TLC	24687-P	
091-203	1-14	3/8	Steel	Zinc Plated	203TLC	24252-P	
091-204	1-14	1/2	Steel	Zinc Plated	203TLC	24253-P	AD-60104S08R
091-205	1-14	5/8	Steel	Zinc Plated	203TLC	24254-P	AD-60105S08R
091-206	1-14	3/4	Steel	Zinc Plated	203TLC	27925-P	
091-207	1-14	7/8	Steel	Zinc Plated	203TLC	16233-P	AD-60907S10R
091-208	1 1/4-12	3/4	Steel	Zinc Plated	202TLC	24255-P	
091-209	1 1/4-12	7/8	Steel	Zinc Plated	202TLC	24256-P	
091-210	1 1/4-12	1 1/8	Steel	Zinc Plated	202TLC	24257-P	
091-211	1 3/4-12	7/8	Steel	Zinc Plated	201TLC		
091-212	1 3/4-12	1 1/8	Steel	Zinc Plated	201TLC	24979-P	
091-213	1 3/4-12	1 3/8	Steel	Zinc Plated	201TLC	24688-P	AD-61111S14R
091-214	1 3/4-12	1 5/8	Steel	Zinc Plated	201TLC		

- Due to our vast product history and component selection, we can build valves to fit your needs, if you cannot find your solution within the catalog please call 1-800-482-0781 and our customer service personnel will help build your solution

Rotalock Adapter Straight



Item	A Conn	B Conn	Material	Finish	Seal Used	AMP Item	AJW Item
091-900H	3/4-16	1/4	Steel	Zinc Plated	200TLC	24683-P	
091-901H	3/4-16	3/8	Steel	Zinc Plated	200TLC	34516-P	AD-703304S08R
091-902H	1-14	1/4	Steel	Zinc Plated	203TLC	24684-P	
091-903H	1-14	3/8	Steel	Zinc Plated	203TLC	24246-P	
091-904H	1-14	1/2	Steel	Zinc Plated	203TLC	24247-P	AD-703304S08R
091-905H	1-14	5/8	Steel	Zinc Plated	203TLC	24248-P	AD-703005S08R
091-906H	1-14	3/4	Steel	Zinc Plated	203TLC	27924-P	
091-907H	1 1/4-12	3/4	Steel	Zinc Plated	202TLC	24249-P	
091-908H	1 1/4-12	7/8	Steel	Zinc Plated	202TLC	24250-P	AD-702907S10R
091-909H	1 1/4-12	1 1/8	Steel	Zinc Plated	202TLC	24251-P	AD-703209S10R
091-910H	1 3/4-12	1 1/8	Steel	Zinc Plated	201TLC	27328-P	
091-911H	1 3/4-12	1 3/8	Steel	Zinc Plated	201TLC	24685-P	AD-781311S14R
091-912H	1 3/4-12	1 5/8	Steel	Zinc Plated	201TLC		



Our customer service staff can help answer any of your questions, available 8 am- 5 pm Eastern

Adapter Fittings

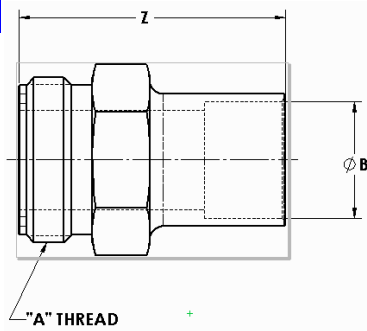
Female Rotalock x Sweat Connection

Rotalock Adapter Straight

- Due to our vast product history and component selection, we can build valves to fit your needs, if you cannot find your solution within the catalog please call 1-800-482-0781 and our customer service personnel will help build your solution

Male Rotalock x Sweat Connection

Rotalock Adapter Straight



Item	A Conn	B Conn	Material	Finish	Seal Used	AJW Item
091-700H	3/4-16	3/8	Steel	N/A	200TLC	
091-700HB	3/4-16	3/8	Brass		200TLC	AD-7000-186
091-701H	1-14	1/2	Steel	N/A	203TLC	
091-701HB	1-14	1/2	Brass		203TLC	AD-7000-190
091-702H	1-14	5/8	Steel	N/A	203TLC	
091-702HB	1-14	5/8	Brass		203TLC	AD-7000-189
091-703H	1 1/4-12	7/8	Steel	N/A	202TLC	
091-703HB	1 1/4-12	7/8	Brass		202TLC	AD-7000-188
091-704H	1 1/4-12	1 1/8	Steel	N/A	202TLC	
091-704HB	1 1/4-12	1 1/8	Brass		202TLC	AD-7000-193
091-705H	1 3/4-12	1 1/8	Steel	N/A	201TLC	
091-705HB	1 3/4-12	1 1/8	Brass		201TLC	AD-7000-196
091-706H	1 3/4-12	1 3/8	Steel	N/A	201TLC	
091-706HB	1 3/4-12	1 3/8	Brass		201TLC	AD-7000-201
091-707H	1 3/4-12	1 5/8	Steel	N/A	201TLC	
091-707HB	1 3/4-12	1 5/8	Brass		201TLC	
091-708HB	1 1/4-12	5/8	Brass		202TLC	AD-7000-192
091-709HB	1 1/4-12	3/4	Brass		202TLC	

- Due to our vast product history and component selection, we can build valves to fit your needs, if you cannot find your solution within the catalog please call 1-800-482-0781 and our customer service personnel will help build your solution

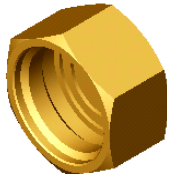


Our customer service staff can help answer any of your questions, available 8 am- 5 pm Eastern

Seals

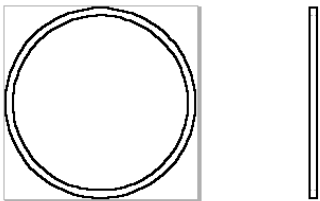
Rotalock Seals

Rotalock Connection Shut off caps



Item	A Conn	Material	Finish	AMP Item
091-787H	3/4-16	Steel	Zinc Plated	1016-p
091-788H	1-14	Steel	Zinc Plated	24239-p
091-789H	1 1/4-12	Steel	Zinc Plated	24240-p
091-790H	1 3/4-12	Steel	Zinc Plated	24328-p

Teflon Rotalock Gasket



Item	A Conn	AMP Item	AJW Item
200TLC	3/4-16	24590	AC-7000-22
201TLC	1 3/4-12	24593	AC-7000-23
202TLC	1 1/4-12	24592	AC-7000-24
203TLC	1-14	24591	AC-7000-27
204TLC	2 1/4-12		

Service Ports Caps

Copper Flare Seal Bonnet



Item	A Conn	Material
A00414	1/4 Flare Seal Bonnet	Copper
A00415	3/8 Flare Seal Bonnet	Copper
A00416	1/2 Flare Seal Bonnet	Copper
A00485	5/8 Flare Seal Bonnet	Copper

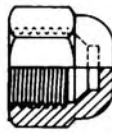


Our customer service staff can help answer any of your questions, available 8 am- 5 pm Eastern

Seals

Service Ports Caps

Service Port Cap



Item	A Conn	Material
#605	1/4" Flare Cap	Brass w/copper bonnet
#753	1/4" Flare Cap	Brass w/rubber bonnet
7 / 16 -20	1/4" Flare Cap	Plastic
A04544	1/4" Flare Cap	Brass
A04545	1/4" Flare Cap	Aluminum

Short Forged Nuts



Item	A Conn	Material
A05051	1/4 Flare Cap	Brass
A05052	3/8 Flare Cap	Brass
A05053	1/2 Flare Cap	Brass
A05157	5/8 Flare Cap	Brass
A05239	5/16 Flare Cap	Brass

Valve Stem Caps

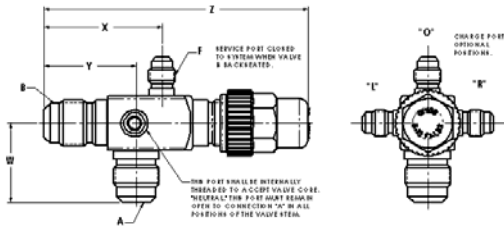


Item	A Conn	Material	Finish
1400-9P	Stem Cap	Plastic	N/A
501-10	Stem Cap	Plastic	N/A
501-11	Stem Cap	Plastic	N/A
501-11SPBO	Stem Cap	Steel	Black Oxide
501-11SPBO	Stem Cap	Steel	Black Oxide
EX565-5-3PBO	Stem Cap	Steel	Black Oxide

Shut off Service Valve

Angle Valve

Angle Flare to Flare Valve



- Aluminum service port cap standard, others available upon request: Brass, Brass with Copper Bonnet, Plastic
- Valox (Plastic) stem cap standard, other available upon request: Steel with copper seal, Plastic with oring seal
- Service ports available upon request: Vent hole, Schrader valve, R134-A (High and Low side)
- Zinc plating standard, other available upon request: Tin, and Copper

Item	A Conn	B Conn	1/4" Service Port	Body Size	Material	Finish	AMP Item	AJW Item
091-402B300/300LZ	1/4" flare	1/4" flare	Left	3/4 Hex	Steel	Zinc Plated	44976-P	AV-56502F02F
091-402B300/300OZ	1/4" flare	1/4" flare	Opposite	3/4 Hex	Steel	Zinc Plated	44345-P	AV-57402F02F
091-402B300/300RZ	1/4" flare	1/4" flare	Right	3/4 Hex	Steel	Zinc Plated	44975-P	AV-55202F02F
091-402B310/310LZ	3/8" flare	3/8" flare	Left	3/4 Hex	Steel	Zinc Plated	44358-P	AV-54103F03F
091-402B310/310OZ	3/8" flare	3/8" flare	Opposite	3/4 Hex	Steel	Zinc Plated	28812-P	AV-54003F03F
091-402B310/310RZ	3/8" flare	3/8" flare	Right	3/4 Hex	Steel	Zinc Plated	44977-P	AV-53903F03F
091-402C320/320LZ	1/2" flare	1/2" flare	Left	7/8 Square	Steel	Zinc Plated	44979-P	AV-52904F04F
091-402C320/320OZ	1/2" flare	1/2" flare	Opposite	7/8 Square	Steel	Zinc Plated	28352-P	AV-53104F04F
091-402C320/320RZ	1/2" flare	1/2" flare	Right	7/8 Square	Steel	Zinc Plated	44978-P	AV-52504F04F
091-402C330/330LZ	5/8" flare	5/8" flare	Left	7/8 Square	Steel	Zinc Plated	29027-P	AV-52905F05F
091-402C330/330OZ	5/8" flare	5/8" flare	Opposite	7/8 Square	Steel	Zinc Plated	28353-P	AV-53105F05F
091-402C330/330RZ	5/8" flare	5/8" flare	Right	7/8 Square	Steel	Zinc Plated	44980-P	AV-52505F05F
091-402E340/340LZ	3/4" flare	3/4" flare	Left	7/8 Square	Steel	Zinc Plated	44982-P	
091-402E340/340OZ	3/4" flare	3/4" flare	Opposite	7/8 Square	Steel	Zinc Plated	28351-P	
091-402E340/340RZ	3/4" flare	3/4" flare	Right	7/8 Square	Steel	Zinc Plated	44981-P	

- Due to our vast product history and component selection, we can build valves to fit your needs, if you cannot find your solution within the catalog please call 1-800-482-0781 and our customer service personnel will help build your solution



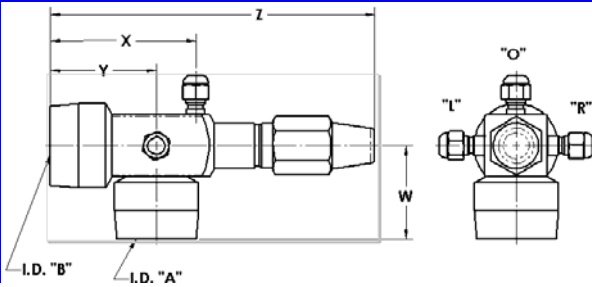
Our customer service staff can help answer any of your questions, available 8 am- 5 pm Eastern

Refrigeration/A/C

Shut off Service Valve

Angle Valve

Angle Sweat to Sweat Valve



- Aluminum service port cap standard, others available upon request: Brass, Brass with Copper Bonnet, Plastic
- Valox (Plastic) stem cap standard, other available upon request: Steel with copper seal, Plastic with oring seal
- Service ports available upon request: Vent hole, Schrader valve, R134-A (High and Low side)
- Zinc plating standard, other available upon request: Tin, and Copper

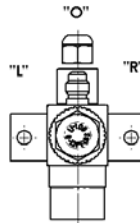
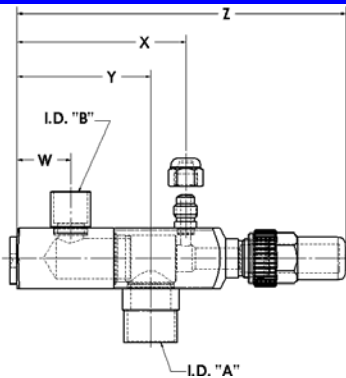
Item	A Conn	B Conn	1/4" Service Port	Body Size	Material	Finish	AMP Item	AJW Item
091-402B105/105LZ	1/4"	1/4"	Left	3/4 Hex	Steel	Zinc Plated	44984-P	AV-51902S02S
091-402B105/105OZ	1/4"	1/4"	Opposite	3/4 Hex	Steel	Zinc Plated	27054-P	AV-51902S02S
091-402B105/105RZ	1/4"	1/4"	Right	3/4 Hex	Steel	Zinc Plated	44983-P	AV-51802S02S
091-402B110/110LZ	3/8"	3/8"	Left	3/4 Hex	Steel	Zinc Plated	27653-P	AV-51903503S
091-402B110/110OZ	3/8"	3/8"	Opposite	3/4 Hex	Steel	Zinc Plated	24678-P	AV-51703S03S
091-402B110/110RZ	3/8"	3/8"	Right	3/4 Hex	Steel	Zinc Plated	44985-P	AV-51803S03S
091-402C115/115LZ	1/2"	1/2"	Left	7/8 Square	Steel	Zinc Plated	27649-P	AV-511045S04S
091-402C115/115OZ	1/2"	1/2"	Opposite	7/8 Square	Steel	Zinc Plated	27058-P	AV-511045S04S
091-402C115/115RZ	1/2"	1/2"	Right	7/8 Square	Steel	Zinc Plated	15282-P	AV-50604S04S
091-402C120/120LZ	5/8"	5/8"	Left	7/8 Square	Steel	Zinc Plated	16119-P	AV-51105S05S
091-402C120/120OZ	5/8"	5/8"	Opposite	7/8 Square	Steel	Zinc Plated	22716-P	AV-50405S05S
091-402C120/120RZ	5/8"	5/8"	Right	7/8 Square	Steel	Zinc Plated	15264-P	AV-50605S05S
091-402C125/125LZ	3/4"	3/4"	Left	7/8 Square	Steel	Zinc Plated	27262-P	AV-54306S06S
091-402C125/125OZ	3/4"	3/4"	Opposite	7/8 Square	Steel	Zinc Plated	24209-P	AV-54306S06S
091-402C125/125RZ	3/4"	3/4"	Right	7/8 Square	Steel	Zinc Plated	44986-P	AV-54406S05S
091-402E130/130LZ	7/8"	7/8"	Left	1 1/8 Square	Steel	Zinc Plated	27266-P	AV-54307S07S
091-402E130/130OZ	7/8"	7/8"	Opposite	1 1/8 Square	Steel	Zinc Plated	22776-P	AV-54507S07S
091-402E130/130RZ	7/8"	7/8"	Right	1 1/8 Square	Steel	Zinc Plated	22800-P	AV-54407S07S
091-402E135/135LZ	1 1/8"	1 1/8"	Left	1 1/8 Square	Steel	Zinc Plated	27989-P	AV-54309S09S
091-402E135/135OZ	1 1/8"	1 1/8"	Opposite	1 1/8 Square	Steel	Zinc Plated	27357-P	AV-54509S09S
091-402E135/135RZ	1 1/8"	1 1/8"	Right	1 1/8 Square	Steel	Zinc Plated	44987-P	AV-54409S09S
091-402F135/135LZ	1 1/8"	1 1/8"	Left	1 3/8 Square	Steel	Zinc Plated	27650-P	AV-57309S09S
091-402F135/135OZ	1 1/8"	1 1/8"	Opposite	1 3/8 Square	Steel	Zinc Plated	28955-P	AV-57009S09S
091-402F135/135RZ	1 1/8"	1 1/8"	Right	1 3/8 Square	Steel	Zinc Plated	28860-P	AV-56609S09S
091-402F140/140LZ	1 3/8"	1 3/8"	Left	1 3/8 Square	Steel	Zinc Plated	44495-P	AV-57311S11S
091-402F140/140OZ	1 3/8"	1 3/8"	Opposite	1 3/8 Square	Steel	Zinc Plated	27950-P	AV-56011S11S
091-402F140/140RZ	1 3/8"	1 3/8"	Right	1 3/8 Square	Steel	Zinc Plated	24855-P	AV-56611S11S
091-402F145/145OZ	1 5/8"	1 5/8"	Opposite	1 3/8 Square	Steel	Zinc Plated		

- Due to our vast product history and component selection, we can build valves to fit your needs, if you cannot find your solution within the catalog please call 1-800-482-0781 and our customer service personnel will help build your solution

Shut off Service Valve

Base Mount Valve

Bracket Mount Sweat Connection Valves



- Aluminum service port cap standard, others available upon request: Brass, Brass with Copper Bonnet, Plastic
- Valox (Plastic) stem cap standard, other available upon request: Steel with copper seal, Plastic with oring seal
- Service ports available upon request: Vent hole, Schrader valve, R134-A (High and Low side)
- Zinc plating standard, other available upon request: Tin, and Copper

Item	A Conn	B Conn	1/4" Service Port	Body Size	Material	Finish
091-405C100/100LZ	1/4"	1/4"	Left	7/8 Square	Steel	Zinc
091-405C100/100OZ	1/4"	1/4"	Opposite	7/8 Square	Steel	Zinc
091-405C100/100RZ	1/4"	1/4"	Right	7/8 Square	Steel	Zinc
091-405C105/105LZ	5/16"	5/16"	Left	7/8 Square	Steel	Zinc
091-405C105/105OZ	5/16"	5/16"	Opposite	7/8 Square	Steel	Zinc
091-405C105/105RZ	5/16"	5/16"	Right	7/8 Square	Steel	Zinc
091-405C110/110LZ	3/8"	3/8"	Left	7/8 Square	Steel	Zinc
091-405C110/110OZ	3/8"	3/8"	Opposite	7/8 Square	Steel	Zinc
091-405C110/110RZ	3/8"	3/8"	Right	7/8 Square	Steel	Zinc
091-405C115/115LZ	1/2"	1/2"	Left	7/8 Square	Steel	Zinc
091-405C115/115OZ	1/2"	1/2"	Opposite	7/8 Square	Steel	Zinc
091-405C115/115RZ	1/2"	1/2"	Right	7/8 Square	Steel	Zinc
091-405C120/120LZ	5/8"	5/8"	Left	7/8 Square	Steel	Zinc
091-405C120/120OZ	5/8"	5/8"	Opposite	7/8 Square	Steel	Zinc
091-405C120/120RZ	5/8"	5/8"	Right	7/8 Square	Steel	Zinc
091-405E125/125LZ	3/4"	3/4"	Left	1-1/8 Square	Steel	Zinc
091-405E125/125OZ	3/4"	3/4"	Opposite	1-1/8 Square	Steel	Zinc
091-405E125/125RZ	3/4"	3/4"	Right	1-1/8 Square	Steel	Zinc
091-405E130/130LZ	7/8"	7/8"	Left	1-1/8 Square	Steel	Zinc
091-405E130/130OZ	7/8"	7/8"	Opposite	1-1/8 Square	Steel	Zinc
091-405E130/130RZ	7/8"	7/8"	Right	1-1/8 Square	Steel	Zinc
091-405E135/135LZ	1 1/8"	1 1/8"	Left	1-1/8 Square	Steel	Zinc
091-405E135/135OZ	1 1/8"	1 1/8"	Opposite	1-1/8 Square	Steel	Zinc
091-405E135/135RZ	1 1/8"	1 1/8"	Right	1-1/8 Square	Steel	Zinc
091-405F140/140LZ	1 3/8"	1 3/8"	Left	1-3/8 Square	Steel	Zinc
091-405F140/140OZ	1 3/8"	1 3/8"	Opposite	1-3/8 Square	Steel	Zinc
091-405F140/140RZ	1 3/8"	1 3/8"	Right	1-3/8 Square	Steel	Zinc
091-405F145/145LZ	1 5/8"	1 5/8"	Left	1-3/8 Square	Steel	Zinc
091-405F145/145OZ	1 5/8"	1 5/8"	Opposite	1-3/8 Square	Steel	Zinc
091-405F145/145RZ	1 5/8"	1 5/8"	Right	1-3/8 Square	Steel	Zinc

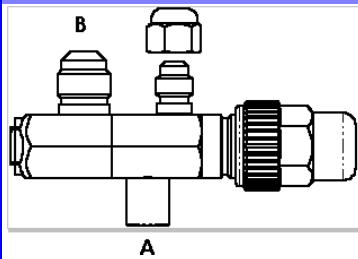
- Due to our vast product history and component selection, we can build valves to fit your needs, if you cannot find your solution within the catalog please call 1-800-482-0781 and our customer service personnel will help build your solution



Our customer service staff can help answer any of your questions, available 8 am- 5 pm Eastern

Shut off Service Valve

Base Mount Valve

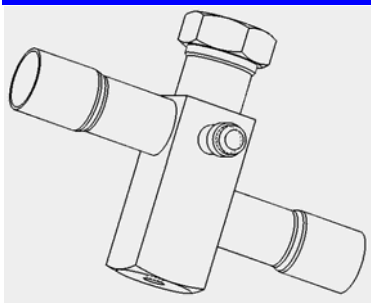


- Aluminum service port cap standard, others available upon request: Brass, Brass with Copper Bonnet, Plastic
- Valox (Plastic) stem cap standard, other available upon request: Steel with copper seal, Plastic with oring seal
- Service ports available upon request: Vent hole, Schrader valve, R134-A (High and Low side)
- Zinc plating standard, other available upon request: Tin, and Copper

Item	A Conn	B Conn	1/4" Service Port	Body Size	Material	Finish	Mount Hole Thread
091-403B100/100OZ	1/4"	1/4"	Opposite	3/4 Hex	Steel	Zinc Plated	5/16-24 UNF-2B
091-403B100/300OZ	1/4"	1/4"	Opposite	3/4 Hex	Steel	Zinc Plated	5/16-24 UNF-2B
091-403B100/310OZ	1/4"	3/8"	Opposite	3/4 Hex	Steel	Zinc Plated	5/16-24 UNF-2B
091-403B105/105OZ	5/16"	5/16"	Opposite	3/4 Hex	Steel	Zinc Plated	5/16-24 UNF-2B
091-403B105/300OZ	5/16"	1/4"	Opposite	3/4 Hex	Steel	Zinc Plated	5/16-24 UNF-2B
091-403B105/310OZ	5/16"	3/8"	Opposite	3/4 Hex	Steel	Zinc Plated	5/16-24 UNF-2B
091-403B110/110OZ	3/8"	3/8"	Opposite	3/4 Hex	Steel	Zinc Plated	5/16-24 UNF-2B
091-403B110/300OZ	3/8"	1/4"	Opposite	3/4 Hex	Steel	Zinc Plated	5/16-24 UNF-2B
091-403B110/310OZ	3/8"	3/8"	Opposite	3/4 Hex	Steel	Zinc Plated	5/16-24 UNF-2B
091-403B115/115OZ	1/2"	1/2"	Opposite	3/4 Hex	Steel	Zinc Plated	5/16-24 UNF-2B
091-403B115/300OZ	1/2"	1/4"	Opposite	3/4 Hex	Steel	Zinc Plated	5/16-24 UNF-2B
091-403B115/310OZ	1/2"	3/8"	Opposite	3/4 Hex	Steel	Zinc Plated	5/16-24 UNF-2B

- Due to our vast product history and component selection, we can build valves to fit your needs, if you cannot find your solution within the catalog please call 1-800-482-0781 and our customer service personnel will help build your solution

Residential A/C Valve



- Aluminum service port cap standard, others available upon request: Brass, Brass with Copper Bonnet, Plastic
- Valox (Plastic) stem cap standard, other available upon request: Steel with copper seal, Plastic with oring seal
- Service ports available upon request: Vent hole, Schrader valve, R134-A (High and Low side)
- Zinc plating standard, other available upon request: Tin, and Copper

Item	A Conn	B Conn	1/4" Service Port	Material	Mount Hole Thread
091-184-21B	3/8"	3/8"	Right	Brass	1/4"-20
091-284-21B	5/8"	5/8"	Right	Brass	1/4"-20
091-384-21B	3/4"	3/4"	Right	Brass	1/4"-20
091-484-21B	7/8"	7/8"	Right	Brass	1/4"-20



Our customer service staff can help answer any of your questions, available 8 am- 5 pm Eastern

Shut off Service Valve

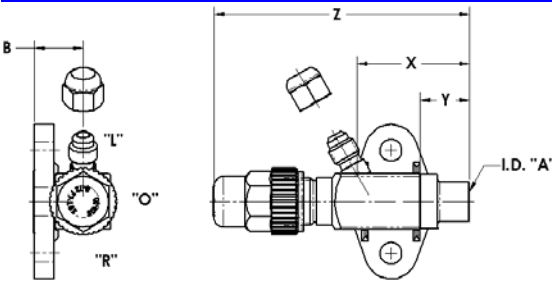
Base Mount Valve

Residential A/C Valve

- Due to our vast product history and component selection, we can build valves to fit your needs, if you cannot find your solution within the catalog please call 1-800-482-0781 and our customer service personnel will help build your solution

Flange Mount Valve

Flange Mount Flare Valve



- Aluminum service port cap standard, others available upon request: Brass, Brass with Copper Bonnet, Plastic
- Valox (Plastic) stem cap standard, other available upon request: Steel with copper seal, Plastic with oring seal
- Service ports available upon request: Vent hole, Schrader valve, R134-A (High and Low side)
- Zinc plating standard, other available upon request: Tin, and Copper

Item	A Conn	1/4" Service Port	Body Size	Material	Finish	Seal Used	AJW Item
091-00-0220-015	3/8' Male Flare	Right	3/4 Hex	Steel	Zinc Plated	020-0012-10	PV-53965P03F
091-00-1220-015	3/8' Male Flare	Left	3/4 Hex	Steel	Zinc Plated	020-0012-10	PV-53865P03F
091-00-8120-015	1/2" Male Flare	Left	7/8 Square	Steel	Zinc Plated	020-0012-10	PV-52829P04F
091-00-9120-015	1/2" Male Flare	Right	7/8 Square	Steel	Zinc Plated	020-0012-10	PV-52729P04F
091-10-0220-015	1/4' Male Flare	Right	3/4 Hex	Steel	Zinc Plated	020-0012-10	PV-53965P02F
091-10-8120-015	5/8" Male Flare	Left	7/8 Square	Steel	Zinc Plated	020-0012-10	PV-52829P05F
091-10-9120-015	5/8" Male Flare	Right	7/8 Square	Steel	Zinc Plated	020-0012-10	PV-52729P03F

- Due to our vast product history and component selection, we can build valves to fit your needs, if you cannot find your solution within the catalog please call 1-800-482-0781 and our customer service personnel will help build your solution

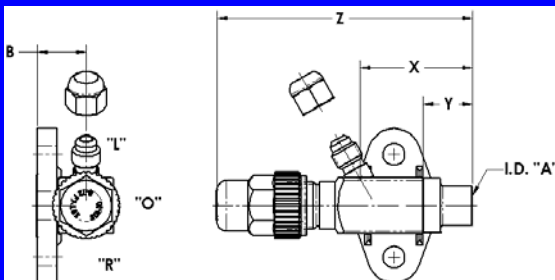


Our customer service staff can help answer any of your questions, available 8 am- 5 pm Eastern

Shut off Service Valve

Flange Mount Valve

Flange Mount Sweat Valve



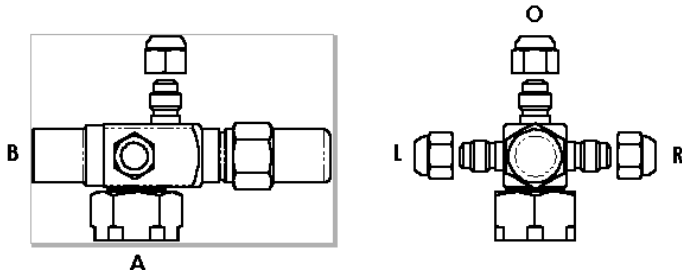
- Aluminum service port cap standard, others available upon request: Brass, Brass with Copper Bonnet, Plastic
- Valox (Plastic) stem cap standard, other available upon request: Steel with copper seal, Plastic with oring seal
- Service ports available upon request: Vent hole, Schrader valve, R134-A (High and Low side)
- Zinc plating standard, other available upon request: Tin, and Copper

Item	A Conn	1/4" Service Port	Body Size	Material	Finish	Seal Used	AJW Item
091-00-2220-015	5/8" Sweat	Left	7/8 Square	Steel	Zinc Plated	020-0012-10	PV-50629P05S
091-00-3220-015	5/8" Sweat	Right	7/8 Square	Steel	Zinc Plated	020-0012-10	PV-50729P03S
091-00-4220-015	3/8" Sweat	Left	3/4 Hex	Steel	Zinc Plated	020-0012-10	PV-52165P03S
091-00-4220-015	3/8" Sweat	Right	3/4 Hex	Steel	Zinc Plated	020-0012-10	PV-52165P03S
091-10-2220-015	1/2" Sweat	Left	7/8 Square	Steel	Zinc Plated	020-0012-10	PV-50629P04S
091-10-3220-015	1/2" Sweat	Right	7/8 Square	Steel	Zinc Plated	020-0012-10	PV-50729P04S
091-10-4220-015	1/4" Sweat	Right	3/4 Hex	Steel	Zinc Plated	020-0012-10	PV-52165P02S
091-10-5220-015	1/4" Sweat	Left	3/4 Hex	Steel	Zinc Plated	020-0012-10	PV-52065P02S

- Due to our vast product history and component selection, we can build valves to fit your needs, if you cannot find your solution within the catalog please call 1-800-482-0781 and our customer service personnel will help build your solution

Rotalock Valve

Horizontal Rotalock Valve to Male Flare



- Aluminum service port cap standard, others available upon request: Brass, Brass with Copper Bonnet, Plastic
- Valox (Plastic) stem cap standard, other available upon request: Steel with copper seal, Plastic with oring seal
- Service ports available upon request: Vent hole, Schrader valve, R134-A (High and Low side)
- Zinc plating standard, other available upon request: Tin, and Copper

Item	A Conn	B Conn	1/4" Service Port	Body Size	Material	Finish	Seal Used	AMP Item	AJW Item
091-400B200/300LZ	3/4-16"	1/4" Male Flare	Left	3/4 Hex	Steel	Zinc Plated	200TLC	27714-P	SW-54106R02F
091-400B200/300OZ	3/4-16"	1/4" Male Flare	Opposite	3/4 Hex	Steel	Zinc Plated	200TLC	27710-P	SW-54006R02F
091-400B200/300RZ	3/4-16"	1/4" Male Flare	Right	3/4 Hex	Steel	Zinc Plated	200TLC	27716-P	SW-54206R02F
091-400B200/310LZ	3/4-16"	3/8" Male Flare	Left	3/4 Hex	Steel	Zinc Plated	200TLC	27715-P	SW-54106R03F
091-400B200/310OZ	3/4-16"	3/8" Male Flare	Opposite	3/4 Hex	Steel	Zinc Plated	200TLC	27712-P	SW-54006R03F
091-400B200/310RZ	3/4-16"	3/8" Male Flare	Right	3/4 Hex	Steel	Zinc Plated	200TLC	27717-P	SW-54206R02F
091-400C210/320LZ	1"-14	1/2" Male	Left	7/8 Square	Steel	Zinc Plated	203TLC	27038-P	SW-52905R04F
091-400C210/320OZ	1"-14	1/2" Male	Opposite	7/8 Square	Steel	Zinc Plated	203TLC	27689-P	SW-53108R04F
091-400C210/320RZ	1"-14	1/2" Male	Right	7/8 Square	Steel	Zinc Plated	203TLC	27688-P	SW-52505R04F
091-400C210/330LZ	1"-14	5/8" Male Flare	Left	7/8 Square	Steel	Zinc Plated	203TLC	27037-P	SW-52905R05F
091-400C210/330OZ	1"-14	5/8" Male Flare	Opposite	7/8 Square	Steel	Zinc Plated	203TLC	27691-P	SW-53108R05F
091-400C210/330RZ	1"-14	5/8" Male Flare	Right	7/8 Square	Steel	Zinc Plated	203TLC	27690-P	SW-52505R05F
091-400C210/340OZ	1"-14	3/4" Male Flare	Opposite	7/8 Square	Steel	Zinc Plated	203TLC		
091-400E220/340LZ	1 1/4-12"	3/4" Male Flare	Left	1 1/8 Square	Steel	Zinc Plated	202TLC	24610-P	
091-400E220/340OZ	1 1/4-12"	3/4" Male Flare	Opposite	1 1/8 Square	Steel	Zinc Plated	202TLC	24600-P	
091-400E220/340RZ	1 1/4-12"	3/4" Male Flare	Right	1 1/8 Square	Steel	Zinc Plated	202TLC	24637-P	
091-401B300/200LZ	1/4" Male Flare	3/4-16"	Left	3/4 Hex	Steel	Zinc Plated	200TLC	27714-P	SW-54106R02F
091-401B300/200OZ	1/4" Male Flare	3/4-16"	Opposite	3/4 Hex	Steel	Zinc Plated	200TLC	27710-P	SW-54006R02F
091-401B300/200RZ	1/4" Male Flare	3/4-16"	Right	3/4 Hex	Steel	Zinc Plated	200TLC	27716-P	SW-54206R02F
091-401B310/200LZ	3/8" Male Flare	3/4-16"	Left	3/4 Hex	Steel	Zinc Plated	200TLC	27715-P	SW-54106R03F
091-401B310/200OZ	3/8" Male Flare	3/4-16"	Opposite	3/4 Hex	Steel	Zinc Plated	200TLC	27712-P	SW-54006R03F
091-401B310/200RZ	3/8" Male Flare	3/4-16"	Right	3/4 Hex	Steel	Zinc Plated	200TLC	27717-P	SW-54206R02F



Our customer service staff can help answer any of your questions, available 8 am- 5 pm Eastern

Refrigeration/A/C

Shut off Service Valve

Rotalock Valve

Horizontal Rotalock Valve to Male Flare

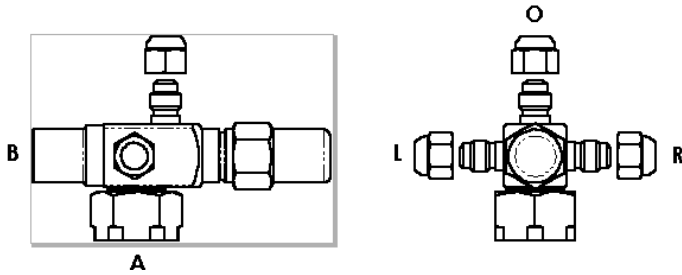
Item	A Conn	B Conn	1/4" Service Port	Body Size	Material	Finish	Seal Used	AMP Item	AJW Item
091-401C320/210LZ	1/2" Male	1"-14	Left	7/8 Square	Steel	Zinc Plated	203TLC	27038-P	SW-52905R04F
091-401C320/210OZ	1/2" Male	1"-14	Opposite	7/8 Square	Steel	Zinc Plated	203TLC	27689-P	SW-53108R04F
091-401C320/210RZ	1/2" Male	1"-14	Right	7/8 Square	Steel	Zinc Plated	203TLC	27688-P	SW-52505R04F
091-401C330/210LZ	5/8" Male Flare	1"-14	Left	7/8 Square	Steel	Zinc Plated	203TLC	27037-P	SW-52905R05F
091-401C330/210OZ	5/8" Male Flare	1"-14	Opposite	7/8 Square	Steel	Zinc Plated	203TLC	27691-P	SW-53108R05F
091-401C330/210RZ	5/8" Male Flare	1"-14	Right	7/8 Square	Steel	Zinc Plated	203TLC	27690-P	SW-52505R05F
091-401C340/2106Z	3/4" Male Flare	1 1/4-12"	Right	1 1/8 Square	Steel	Zinc Plated	202TLC	24637-P	
091-401C340/210OZ	3/4" Male Flare	1"-14	Opposite	7/8 Square	Steel	Zinc Plated	203TLC		
091-401C340/210RZ	3/4" Male Flare	1 1/4-12"	Opposite	1 1/8 Square	Steel	Zinc Plated	202TLC	24600-P	
091-401E340/220OZ	3/4" Male Flare	1 1/4-12"	Left	1 1/8 Square	Steel	Zinc Plated	202TLC	24610-P	

- Due to our vast product history and component selection, we can build valves to fit your needs, if you cannot find your solution within the catalog please call 1-800-482-0781 and our customer service personnel will help build your solution



Our customer service staff can help answer any of your questions, available 8 am- 5 pm Eastern

Horizontal Rotalock Valve to Sweat



- Aluminum service port cap standard, others available upon request: Brass, Brass with Copper Bonnet, Plastic
- Valox (Plastic) stem cap standard, other available upon request: Steel with copper seal, Plastic with oring seal
- Service ports available upon request: Vent hole, Schrader valve, R134-A (High and Low side)
- Zinc plating standard, other available upon request: Tin, and Copper

Item	A Conn	B Conn	1/4" Service Port	Body Size	Material	Finish	Seal Used	AMP Item	AJW Item
091-400B200/105LZ	3/4-16"	1/4"	Left	3/4 Hex	Steel	Zinc Plated	200TLC	24611-P	SW-51706R02 S
091-400B200/105OZ	3/4-16"	1/4"	Opposite	3/4 Hex	Steel	Zinc Plated	200TLC	24474-P	SW-51906R02 S
091-400B200/105RZ	3/4-16"	1/4"	Right	3/4 Hex	Steel	Zinc Plated	200TLC	24638-P	SW-51605R02 S
091-400B200/110LZ	3/4-16"	3/8"	Left	3/4 Hex	Steel	Zinc Plated	200TLC	24612-P	SW-51706R03 S
091-400B200/110OZ	3/4-16"	3/8"	Opposite	3/4 Hex	Steel	Zinc Plated	200TLC	24475-P	SW-51906R03 S
091-400B200/110RZ	3/4-16"	3/8"	Right	3/4 Hex	Steel	Zinc Plated	200TLC	24639-P	SW-51806R03 S
091-400C210/115LZ	1"-14	1/2"	Left	7/8 Square	Steel	Zinc Plated	203TLC	24225-P	SW-50408R04 S
091-400C210/115OZ	1"-14	1/2"	Opposite	7/8 Square	Steel	Zinc Plated	203TLC	24601-P	SW-5110SR04 S
091-400C210/115RZ	1"-14	1/2"	Right	7/8 Square	Steel	Zinc Plated	203TLC	23095-P	SW-50408R04 S
091-400C210/120LZ	1"-14	5/8"	Left	7/8 Square	Steel	Zinc Plated	203TLC	24221-P	SW-50408R05 S
091-400C210/120OZ	1"-14	5/8"	Opposite	7/8 Square	Steel	Zinc Plated	203TLC	24602-P	SW-51108R05 S
091-400C210/120RZ	1"-14	5/8"	Right	7/8 Square	Steel	Zinc Plated	203TLC	24641-P	SW-50808R05 S
091-400C210/125OZ	1"-14	3/4"	Opposite	7/8 Square	Steel	Zinc Plated	203TLC		
091-400E220/125LZ	1 1/4-12"	3/4"	Left	1 1/8 Square	Steel	Zinc Plated	202TLC	24613-P	
091-400E220/125OZ	1 1/4-12"	3/4"	Opposite	1 1/8 Square	Steel	Zinc Plated	202TLC	23078-P	
091-400E220/125RZ	1 1/4-12"	3/4"	Right	1 1/8 Square	Steel	Zinc Plated	202TLC	24220*P	
091-400E220/130LZ	1 1/4-12"	7/8"	Left	1 1/8 Square	Steel	Zinc Plated	202TLC	24614-P	SW-54310R07 S
091-400E220/130OZ	1 1/4-12"	7/8"	Opposite	1 1/8 Square	Steel	Zinc Plated	202TLC	24603-P	SW-54510R07 S
091-400E220/130RZ	1 1/4-12"	7/8"	Right	1 1/8 Square	Steel	Zinc Plated	202TLC	24218-P	SW-54410R07 S
091-400E220/135LZ	1 1/4-12"	1 1/8"	Left	1 1/8 Square	Steel	Zinc Plated	202TLC	24615-P	SW-54310R09 S
091-400E220/135OZ	1 1/4-12"	1 1/8"	Opposite	1 1/8 Square	Steel	Zinc Plated	202TLC	24325-P	SW-54510R09 S
091-400E220/135RZ	1 1/4-12"	1 1/8"	Right	1 1/8 Square	Steel	Zinc Plated	202TLC	24216-P	SW-54410R09 S
091-400F230/135LZ	1 3/4-12"	1 1/8"	Left	1 3/8 Square	Steel	Zinc Plated	201TLC	24690-P	SW-57314R09 S
091-400F230/135OZ	1 3/4-12"	1 1/8"	Opposite	1 3/8 Square	Steel	Zinc Plated	201TLC	27221-P	SW-55014R09 S
091-400F230/135RZ	1 3/4-12"	1 1/8"	Right	1 3/8 Square	Steel	Zinc Plated	201TLC	27186-P	SW-5514R09S
091-400F230/140LZ	1 3/4-12"	1 3/8"	Left	1 3/8 Square	Steel	Zinc Plated	201TLC	24616-P	SW-57314R11 S



Our customer service staff can help answer any of your questions, available 8 am- 5 pm Eastern

Refrigeration/AC

Shut off Service Valve

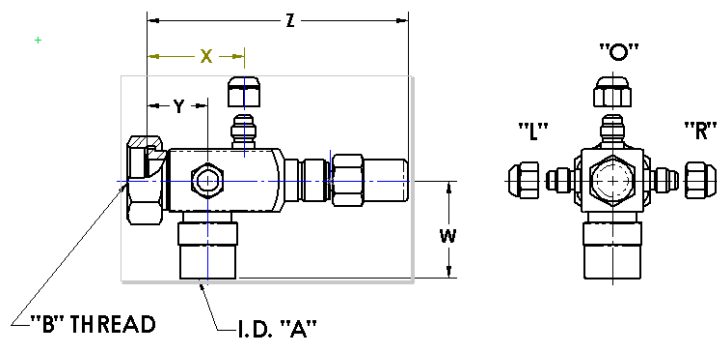
Rotalock Valve

Horizontal Rotalock Valve to Sweat

Item	A Conn	B Conn	1/4" Service Port	Body Size	Material	Finish	Seal Used	AMP Item	AJW Item
091-400F230/140OZ	1 3/4-12"	1 3/8"	Opposite	1 3/8 Square	Steel	Zinc Plated	201TLC	24320-P	SW-550114R11 S
091-400F230/140RZ	1 3/4-12"	1 3/8"	Right	1 3/8 Square	Steel	Zinc Plated	201TLC	24642-P	SW-58814R11 S
091-400F230/145OZ	1 3/4-12"	1 5/8"	Opposite	1 3/8 Square	Steel	Zinc Plated	201TLC		

- Due to our vast product history and component selection, we can build valves to fit your needs, if you cannot find your solution within the catalog please call 1-800-482-0781 and our customer service personnel will help build your solution

Vertical Rotalock Valve to Sweat



- Aluminum service port cap standard, others available upon request: Brass, Brass with Copper Bonnet, Plastic
- Valox (Plastic) stem cap standard, other available upon request: Steel with copper seal, Plastic with oring seal
- Service ports available upon request: Vent hole, Schrader valve, R134-A (High and Low side)
- Zinc plating standard, other available upon request: Tin, and Copper

Item	A Conn	B Conn	1/4" Service Port	Body Size	Material	Finish	Seal Used	AMP Item	AJW Item
091-401B105/200LZ	3/4-16"	1/4"	Left	3/4 Hex	Steel	Zinc Plated	200TLC	24623-P	
091-401B105/200OZ	3/4-16"	1/4"	Opposite	3/4 Hex	Steel	Zinc Plated	200TLC	24488-P	
091-401B105/200RZ	3/4-16"	1/4"	Right	3/4 Hex	Steel	Zinc Plated	200TLC	24649-P	
091-401B110/200LZ	3/4-16"	3/8"	Left	3/4 Hex	Steel	Zinc Plated	200TLC	24624-P	SW-51703S06 R
091-401B110/200OZ	3/4-16"	3/8"	Opposite	3/4 Hex	Steel	Zinc Plated	200TLC	24489-P	SW-51903S06 R
091-401B110/200RZ	3/4-16"	3/8"	Right	3/4 Hex	Steel	Zinc Plated	200TLC	24650-P	SW-51803S06 R
091-401C115/210LZ	1"-14	1/2"	Left	7/8 Square	Steel	Zinc Plated	203TLC	24626-P	SW-50404S08 R
091-401C115/210OZ	1"-14	1/2"	Opposite	7/8 Square	Steel	Zinc Plated	203TLC	24490-P	SW-51104S08 R
091-401C115/210RZ	1"-14	1/2"	Right	7/8 Square	Steel	Zinc Plated	203TLC	24652-P	SW-50804S08 R
091-401C120/210LZ	1"-14	5/8"	Left	7/8 Square	Steel	Zinc Plated	203TLC	24627-P	SW-5045S08R
091-401C120/210OZ	1"-14	5/8"	Opposite	7/8 Square	Steel	Zinc Plated	203TLC	24491-P	SW-51103S08 R
091-401C120/210RZ	1"-14	5/8"	Right	7/8 Square	Steel	Zinc Plated	203TLC	24653-P	SW-50805S08 R
091-401C125/210OZ	1"-14	3/4"	Opposite	7/8 Square	Steel	Zinc Plated	203TLC		
091-401E125/220LZ	1 1/4-12"	3/4"	Left	1 1/8 Square	Steel	Zinc Plated	202TLC	24628-P	
091-401E125/220OZ	1 1/4-12"	3/4"	Opposite	1 1/8 Square	Steel	Zinc Plated	202TLC	24492-P	
091-401E125/220RZ	1 1/4-12"	3/4"	Right	1 1/8 Square	Steel	Zinc Plated	202TLC	24654-P	
091-401E130/220LZ	1 1/4-12"	7/8"	Left	1 1/8 Square	Steel	Zinc Plated	202TLC	24629-P	SW-54307S10 R
091-401E130/220OZ	1 1/4-12"	7/8"	Opposite	1 1/8 Square	Steel	Zinc Plated	202TLC	24493-P	SW-54507S10 R
091-401E130/220RZ	1 1/4-12"	7/8"	Right	1 1/8 Square	Steel	Zinc Plated	202TLC	24655-P	SW-54407S10 R
091-401E135/220LZ	1 1/4-12"	1 1/8"	Left	1 1/8 Square	Steel	Zinc Plated	202TLC	24630-P	SW-54309S10 R
091-401E135/220OZ	1 1/4-12"	1 1/8"	Opposite	1 1/8 Square	Steel	Zinc Plated	202TLC	24494-P	SW-54309S10 R
091-401E135/220RZ	1 1/4-12"	1 1/8"	Right	1 1/8 Square	Steel	Zinc Plated	202TLC	24656-P	SW-54409S10 R
091-401F135/230LZ	1 3/4-12"	1 1/8"	Left	1 3/8 Square	Steel	Zinc Plated	201TLC	28129-P	SW-57309S14 R
091-401F135/230OZ	1 3/4-12"	1 1/8"	Opposite	1 3/8 Square	Steel	Zinc Plated	201TLC	27023-P	SW-56009S14 R
091-401F135/230RZ	1 3/4-12"	1 1/8"	Right	1 3/8 Square	Steel	Zinc Plated	201TLC	28130-P	SW-56809S14 R
091-401F140/230LZ	1 3/4-12"	1 3/8"	Left	1 3/8 Square	Steel	Zinc Plated	201TLC	24631-P	SW-573011S14 R
091-401F140/230OZ	1 3/4-12"	1 3/8"	Opposite	1 3/8 Square	Steel	Zinc Plated	201TLC	24495-P	SW-58011S14 R



Our customer service staff can help answer any of your questions, available 8 am- 5 pm Eastern

Shut off Service Valve

Rotalock Valve

Vertical Rotalock Valve to Sweat

Item	A Conn	B Conn	1/4" Service Port	Body Size	Material	Finish	Seal Used	AMP Item	AJW Item
091-401F140/230RZ	1 3/4-12"	1 3/8"	Right	1 3/8 Square	Steel	Zinc Plated	201TLC	24657-P	SW-58811S14 R
091-401F145/230OZ	1 3/4-12"	1 5/8"	Opposite	1 3/8 Square	Steel	Zinc Plated	201TLC		

- Due to our vast product history and component selection, we can build valves to fit your needs, if you cannot find your solution within the catalog please call 1-800-482-0781 and our customer service personnel will help build your solution

Table of Contents

A		
Adapter Fittings		1-2
Angle Flare to Flare Valve		5
Angle Sweat to Sweat Valve		6
Angle Valve		5-6
B		
Base Mount Valve		7-8
Bracket Mount Sweat Connection Valves		7
C		
Copper Flare Seal Bonnet		3
F		
Female Rotalock x Sweat Connection		1
Flange Mount Flare Valve		9
Flange Mount Sweat Valve		10
Flange Mount Valve		9-10
H		
Horizontal Rotalock Valve to Male Flare		11
Horizontal Rotalock Valve to Sweat		13
M		
Male Rotalock x Sweat Connection		2
R		
Refrigeration/A/C		1-15
Residential A/C Valve		8
Rotalock Adapter 90 Degree		1
Rotalock Adapter Straight		1-2
Rotalock Connection Shut off caps		3
Rotalock Seals		3
Rotalock Valve		11-15
S		
Seals		3-4
Service Port Cap		4
Service Ports Caps		3-4
Short Forged Nuts		4
Shut off Service Valve		5-15
T		
Teflon Rotalock Gasket		3
V		
Valve Stem Caps		4
Vertical Rotalock Valve to Sweat		15

